

Design Attributes



① **Non-rising Hand-Wheel, Non-rising inner screw spindle.** Other actuation possibilities such as square key, extended spindle for underground duties, electric actuation.

⑤ **EPOXI coated hand-wheel** made out of Ductile Iron GGG 40.

④ **Rust free spindle bush** made out of brass.

⑦ **Stainless Steel spindle,** EPDM replaceable packing units.

⑥ **Ductile Iron wedge fully rubber coated.** Absolute tightness in both directions.

③ **Self cleaning,** full and unobstructed bore. Minimal pressure drop.

② **High Environmental protection,** corrosion proof, epoxy powder coated.

Manufacturing Design conforming to Harmonized European Standard EN 1171:2002 (BS 1171:2002 and DIN 3352 part 4)* face to face length to DIN 3202 F4 (F5 upon request) - up dated equivalence to EN 558-1 series F14* Flanges sized and drilled to DIN 2501 PN 10 * Hand Wheel sized according to EN 12570 * EN 19 Marking standard * Design Pressure PN 10/16 * Design temperature: 70°C * Pressure / Temperature Range as per EN 1092-2 * Building Sizes DN 40 - DN 400 * Valves Manufactured in compliance with PED 97/23/CE, Approved Register n° 0575, Category n° II, Fluid Groups 1 & 2

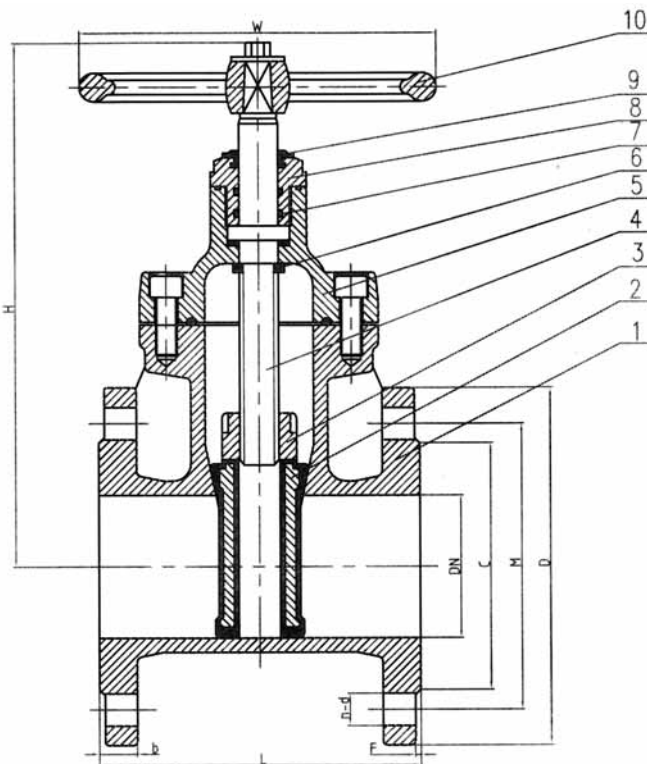
(1). - All measuring units used in the elaboration of this datasheet unless otherwise stated are: Dimensions in mm / Weights in Kgs / Kvs in m3/h / Pressure in barg (1 barg = 0.1 Mpa).
 (2). - Information regarding the installation, start up and maintenance of equipment can be obtained from the COMEVAL,SL Tech.Dept. and/or the Quality Technical Department.



SERIES 500 and 504

- * Self-cleaning, full and unobstructed bore. Extremely low-pressure drop.
- * Clock wise closing direction of hand wheel.
- * Absolute tightness in both directions, back seat to prevent atmospheric leakage.
- * High Environmental protection, corrosion proof, epoxy powder coated..
- * Bolted bonnet, spindle bus made of brass, replaceable packing spindle.
- * Low and smooth operating torque.

Main Dimensions



DN	L		H	C	M	D	b	f	w	n-d
	F4	F5								
40	140	240	260	88	110	150	18	3	160	4-18
50	150	250	270	102	125	165	20	3	180	4-18
65	170	270	285	122	145	185	20	3	180	4-18
80	180	280	311	138	160	200	22	3	200	8-18
100	190	300	352	158	180	220	22	3	250	8-18
125	200	325	455	188	210	250	24	3	280	8-i8
150	210	350	485	212	240	285	24	3	320	8-22
200	230	400	520	268	295	340	26	3	350	12-22
250	250	450	632	320	355	405	28	3	400	12-26
300	270	500	745	378	410	460	30	3	450	12-26
350	290	550	835	438	470	520	32	4	500	16-26
400	310	600	955	490	525	580	34	4	550	16-30

All dimensions are expressed in mm, Weight in Kgs. Dimensions are referred to the standard face to face length DIN 3202 F4 y F5 new standard EN 558-1 series 14)

Parts and Materials

N°	PART	MATERIAL	N°	PART	MATERIAL
1	Body	GGG 40	6	Packing Spindle	NBR
2	Wedge	GGG 40 / NBR	7	O-Rings	NBR
3	Back seat	Brass 38-2-2	8	Gland Bushing	Brass 38-2-2
4	Spindle	St. Steel. 410 / 3%Cr	9	Bush seals	NBR
5	Bonnet	GGG 40	10	Hand Wheel	GGG 40

- GGG40: New European harmonized Standard EN 1563: 1997 – Short Description: EN-GJS-400-15
- The rubber-coated wedge can be supplied in EPDM

Main Duties

Soft-seated Gate Valves are the first choice application for isolating lines in Water Treatment Plants, Sewage Water Plants and Irrigation Systems thanks to their environmental protection and maintenance free attributes.

Their bi-directional tight seating has increased the use along the time in Fire Fighting Systems, industrial plants and H.V.A.C duties.

(1). - All measuring units used in the elaboration of this datasheet unless otherwise stated are: Dimensions in mm / Weights in Kgs / Kvs in m3/h / Pressure in barg (1 barg = 0.1 Mpa).
 (2). - Information regarding the installation, start up and maintenance of equipment can be obtained from the COMEVAL, S.L Tech.Dept. and/or the Quality Technical Department.